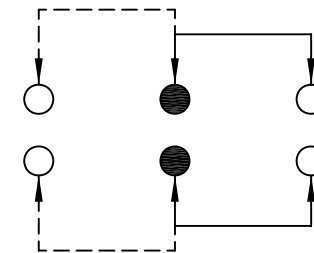
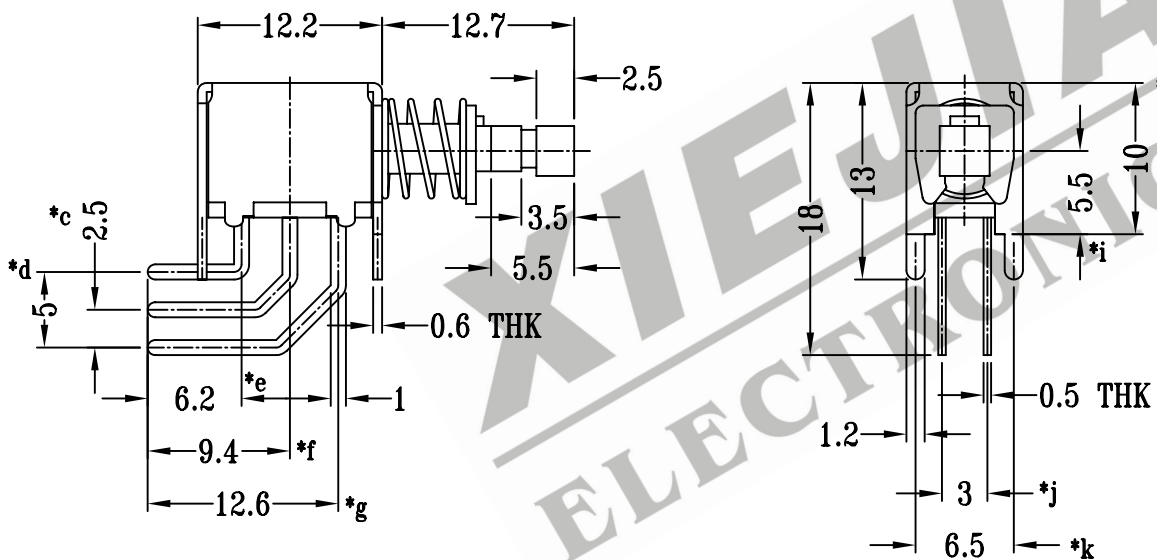
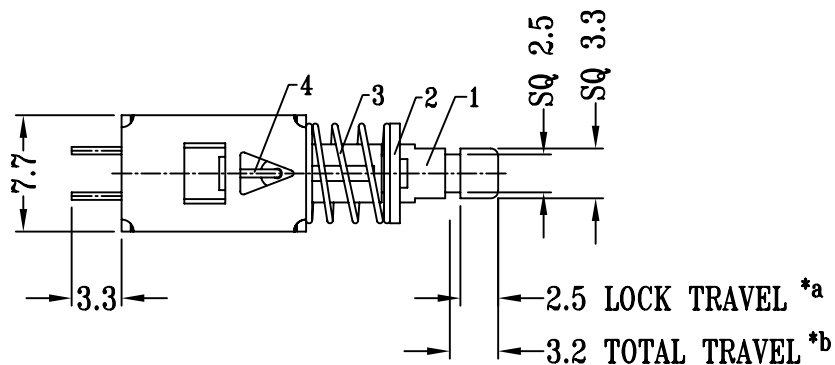
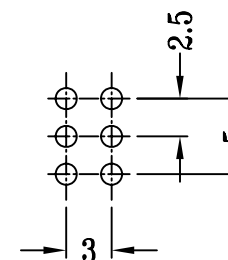


CAD FILE:



SCHEMATIC (NON-SHORTING)



P.C.B LAYOUT

注:带"\*"表示关键尺寸(11个)

9	CONTACT CLIP	PBS STRIP	2	Ag PLATED	TOLERANCE UNLESS SPECIFIED	SHENZHEN XIEJIA ELECTRONICS CO.,LTD.				
8	TERMINAL	BRASS STRIP	6	Ag PLATED OVER Ni PLATED						
7	BASE	PHENOLIC RESIN	1	NATURAL	WITHIN: 1.5±0.1mm OVER: 1.5±0.2mm	ISSUE	DATE	DESCRIPTIONS OF REVISION		APPD.
6	FRAME	STEEL STRIP	1	Ni PLATED						
5	SPRING PLATE	PBS STRIP	1	NATURAL	TITLE : PUSH SWITCH					
4	LOCK NEEDLE	PBS WIRE	1	NATURAL						
3	SPRING	STEEL WIRE	1	Ni PLATED	MODEL: PS-22F35 (LOCKED)					
2	BLOCK	STEEL STRIP	1	Ni PLATED						
1	KNOB	POM	1	BLACK	ALL MATERIALS MUST BE COMPLIANT TO ROHS					
NO.	PARTS	MATERIALS	Q'TY	FINISH						UNIT : mm
						SCALE: 2 : 1	CHK'D	FANGYING	2002-7-13	
							APPD.	KANGXINAN	2002-7-13	